

PEU 016 - USB TO 16x SERIAL PORT EXTENDER UNIT

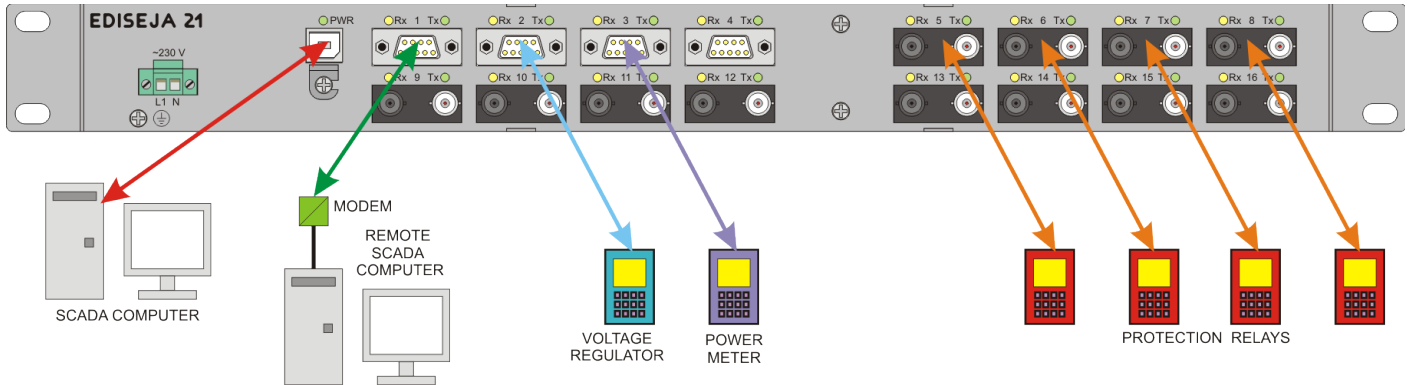


DESCRIPTION

PEU 016 is USB to 16x serial protocol independent port extender unit. Device adds up to 16 serial ports to the PC's operating system from single USB port. Serial port can be RS232, RS485 or multimode fiber optic. Device is intended for connection to protection relays, voltage regulators, energy meters and other equipment in the power station.

RS232 port is galvanically separated that prevents ground loops and increases computer's electromagnetic immunity (EMI). RS485 port is galvanically separated, half duplex port. Multimode fiber optic port is 820 nm wave length with ST or SMA connector, with positive (light off when idle) or negative (light on when idle) logic. Each port has LED for Rx and Tx communication traffic. Number of each port is user selectable. PEU 016 housing is made from inox and is intended for 19" rack, surface or DIN 35 rail mount. Power supply is made for standard substation 110 V-220 V DC and AC 230 V voltages.

TYPICAL APPLICATION:



FEATURES

- ◆ up to 16x serial port
- ◆ USB port
- ◆ WIN XP, 7, 8, 10 & Linux drivers
- ◆ isolated RS232
- ◆ half duplex, isolated, two wires RS485
- ◆ multimode (820 nm) fiber optic with ST or SMA connector, with positive or negative logic
- ◆ Tx & Rx activity LED indicators on each port
- ◆ 110 V-220 V DC, 230 V AC power supply
- ◆ suitable for connection to the single board computer (light CPU burden)
- ◆ 19" rack, deepened 19" rack, surface or DIN35 mount inox housing (user changeable)
- ◆ USB cable lock system (used if needed - USB cable can be removed only with use of tool)

